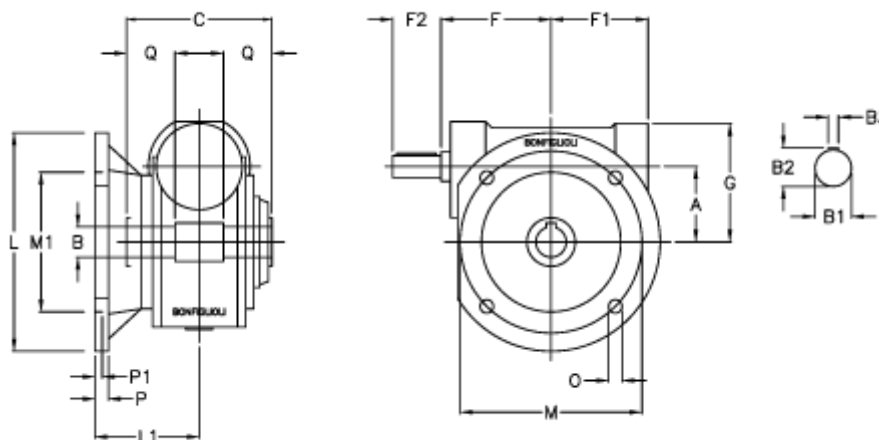


Article number: 3901150100500

Description: Worm gear with solid input shaft  
VF 150FC-100-HS

## Measures



a	= 150.0	F1	= 179	P	= 22
B	= 50	F2	= 65	P1	= 13
B1	= 35	g	= 218	Q	= 55.0
B2	= 38	L	= 350		
B3	= 10	L1	= 145.5		
C	= 175	m	= 290		
Description	= VF 150FC-xx-HS	M1	= 200		
F	= 185.0	O	= 18		